

Name Index Number

443/2
AGRICULTURE
Paper 2
(THEORY)
Nov. 2016
 2 hours

Candidate's Signature

Date



THE KENYA NATIONAL EXAMINATIONS COUNCIL
Kenya Certificate of Secondary Education
AGRICULTURE
Paper 2
(THEORY)
 2 hours

Instructions to candidates

- Write your name and index number in the spaces provided above.
- Sign and write the date of the examination in the spaces provided above.
- This paper consists of **three** sections: **A**, **B** and **C**.
- Answer all the questions in section **A** and **B** and any **two** questions in section **C**.
- All answers should be written in the spaces provided on the question paper.
- This paper consists of **16** printed pages.
- Candidates should check the question paper to ascertain that all the pages are printed as indicated and that no questions are missing.
- Candidates should answer the questions in **English**.

For Examiner's Use Only

Section	Question	Maximum Score	Candidate's Score
A	1-16	30	
B	17-21	20	
C		20	
		20	
Total Score		90	



SECTION A (30 marks)

*Answer **all** the questions in this section in the spaces provided.*

1. Name **four** rabbit breeds reared in Kenya. (2 marks)

.....
.....
.....
.....

2. Give the meaning of the following terms as used in livestock health.

- (a) disease (1 mark)

.....
.....

- (b) vaccination (1 mark)

.....
.....

3. State **four** advantages of artificial calf rearing in dairy cattle management. (2 marks)

.....
.....
.....
.....

4. List **four** materials that can be used in the construction of a Kenya Top Bar Hive. (2 marks)

.....

.....

.....

.....

5. Give **four** features of housing that help to control livestock diseases. (2 marks)

.....

.....

.....

.....

6. State **four** characteristics of the Duroc Jersey pig. (2 marks)

.....

.....

.....

.....

7. Give **four** characteristics of a good site for a fish pond. (2 marks)

.....

.....

.....

.....

8. Name **four** systems of a tractor engine. (2 marks)

.....
.....
.....
.....

9. What is dry cow therapy? (1 mark)

.....
.....

10. Give **two** reasons for steaming up in dairy cattle management. (2 marks)

.....
.....
.....
.....

11. State **four** maintenance practices for a disc plough. (2 marks)

.....
.....
.....
.....

12. List **four** preventive measures for livestock diseases. (2 marks)

.....
.....
.....
.....

13. Give **two** reasons for using litter in a poultry house. (1 mark)

.....
.....
.....
.....

14. State **four** disadvantages of fold system in poultry rearing. (2 marks)

.....
.....
.....
.....

15. State **four** practices that come immediately after complete milking in a milking shed. (2 marks)

.....
.....
.....
.....

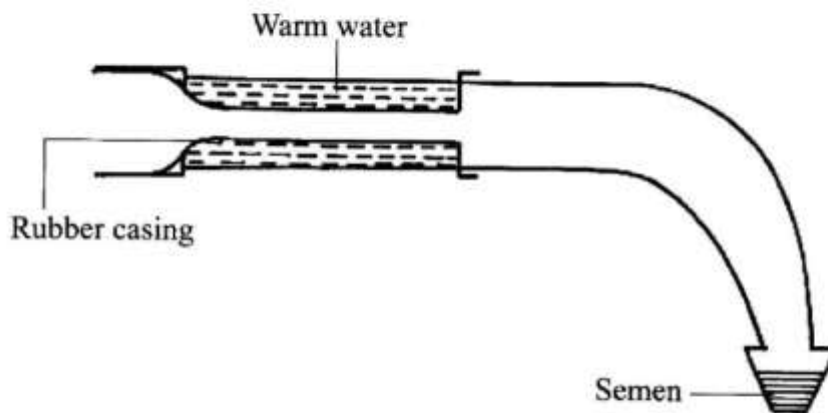
16. List **four** tools that are used when laying concrete blocks during construction of a wall. (2 marks)

.....
.....
.....
.....

SECTION B (20 marks)

Answer *all* the questions in this section in the spaces provided.

17. Below is a diagram illustrating an instrument used in cattle breeding. Study it carefully and answer the questions that follow.



- (a) Identify the instrument. (1 mark)

.....

- (b) State the role of the instrument in cattle breeding. (1 mark)

.....

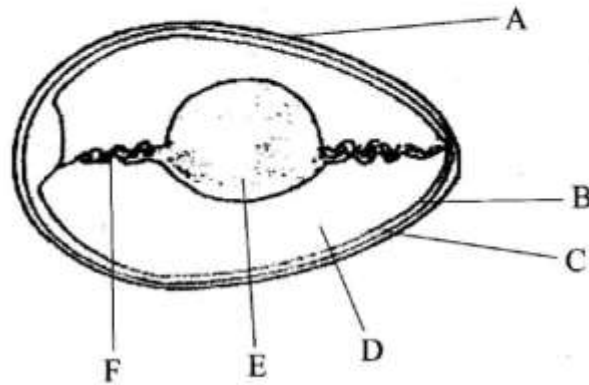
- (c) When should it be appropriate to serve a cow after onset of heat? (1 mark)

.....

- (d) Apart from the method in which the above instrument is used, name **two** other methods of serving a cow. (2 marks)

.....

18. The diagram below is an illustration of an egg. Study it carefully and answer the questions that follow.



- (a) Name the parts labelled B, C, D and F

B (½ mark)

C (½ mark)

D (½ mark)

F (½ mark)

- (b) State **two** qualities of the part labelled A that should be considered when selecting eggs for incubation. (2 marks)

.....

.....

- (c) What is the function of the part labelled E in a fertilised egg? (1 mark)

.....

.....

19. The photograph below illustrates a method of identification labelled x in cattle. Study it carefully and answer the questions that follow.



- (a) Name the identification method. (1 mark)

.....
.....

- (b) Explain **three** disadvantages of the identification method. (3 marks)

.....
.....
.....
.....

20. Below is a picture illustrating a farm implement. Study it carefully and answer the questions that follow.



- (a) Identify the implement illustrated above. (1 mark)

.....

.....

- (b) State the use of the:

- (i) Implement on the farm. (1 mark)

.....

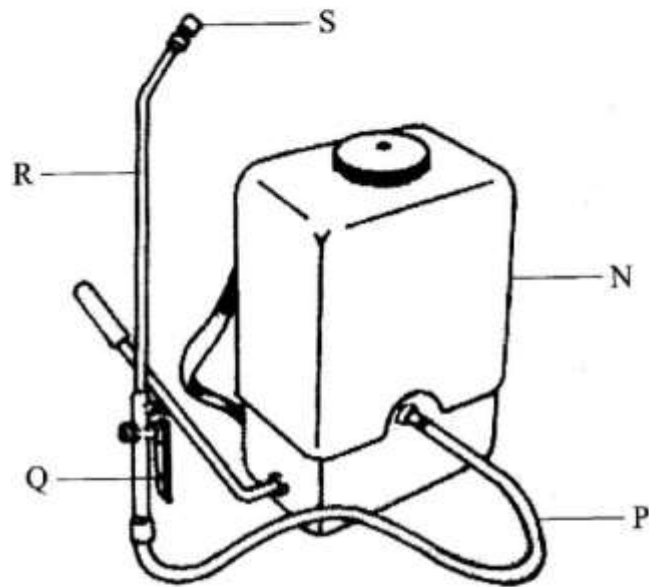
.....

- (ii) Part of the implement labelled J. (1 mark)

.....

.....

21. Below is a diagram of a knapsack sprayer. Study it carefully and answer the questions that follow.



- (a) Name the parts labelled N, P, Q and R. (1 mark)
- N (½ mark)
- P (½ mark)
- Q (½ mark)
- R (½ mark)
- (b) State **one** function of the part labelled S (1 mark)

.....

.....

