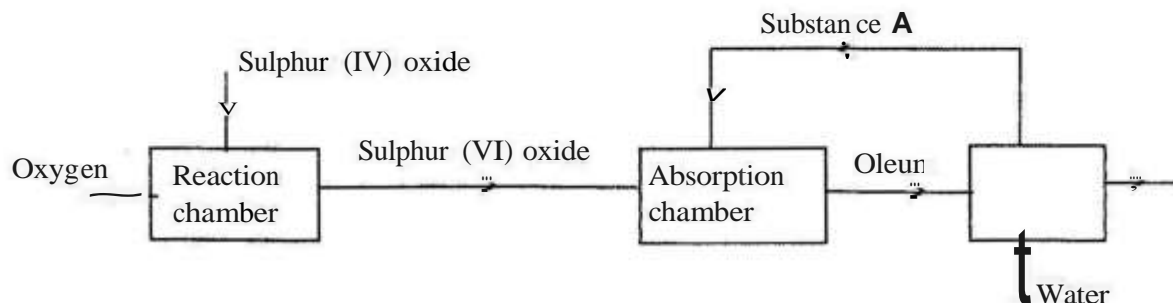


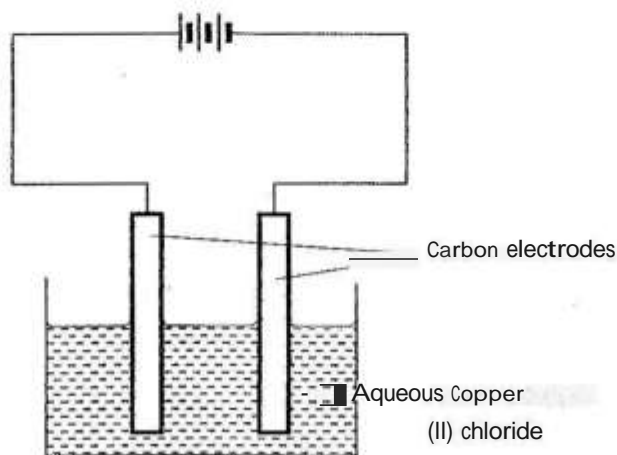
2.3.2 Chemistry Paper 2 (233/2)

- 1 The flow chart below shows some of the processes involved in large scale production of sulphuric (VI) acid. Use it to answer the questions that follow.



- (a) Describe how oxygen is obtained from air on a large scale. (3 marks)
- (b) (i) Name substance A. (1 mark)
-
- (ii) Write an equation for the process that takes place in the absorption chamber. (1 mark)
- (c) Vanadium (V) oxide is a commonly used catalyst in the contact process.
- (i) Name another catalyst which can be used for this process. (1 mark)
- (ii) Give **two** reasons why vanadium (V) oxide is the commonly used catalyst. (2 marks)
- (d) State and explain the observations made when concentrated sulphuric (VI) acid is added to crystals of copper (II) sulphate in a beaker. (2 marks)
- (e) The reaction of concentrated sulphuric (VI) acid with sodium chloride produces hydrogen chloride gas. State the property of concentrated sulphuric (VI) acid illustrated in this reaction. (1 mark)
- (f) Name **four** uses of sulphuric (VI) acid. (2 marks)

- 2 The set-up below was used by a student to investigate the products formed when aqueous copper (II) chloride was electrolysed using carbon electrodes.

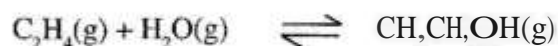


- (a) (i) Write the equation for the reaction that takes place at the cathode. (1 mark)
- (ii) Name and describe a chemical test for the product initially formed at the anode when a highly concentrated solution of copper (II) chloride is electrolysed. (3 marks)
- (iii) How would the mass of the anode change if the carbon anode was replaced with copper metal? Explain. (2 marks)
- (b) 0.6 g of metal B were deposited when a current of 0.45 A was passed through an electrolyte for 72 minutes. Determine the charge on the ion of metal B. (Relative atomic mass of B = 59, 1 Faraday = 96 500 coulombs) (3 marks)
- (c) The electrode potentials for cadmium and zinc are given below:



Explain why it is **not** advisable to store a solution of cadmium nitrate in a container made of zinc. (2 marks)

- 3 (a) Ethanol can be manufactured from ethene and steam as shown in the equation below:



Temperature and pressure will affect the position of equilibrium of the above reaction. Name the other factor that will affect the position of equilibrium of the above reaction. (1 mark)

- (b) The data in the table below was recorded when one mole of ethene was reacted with excess steam. The amount of ethanol in the equilibrium mixture was recorded under different conditions of temperature and pressure. Use the data to answer the questions that follow.

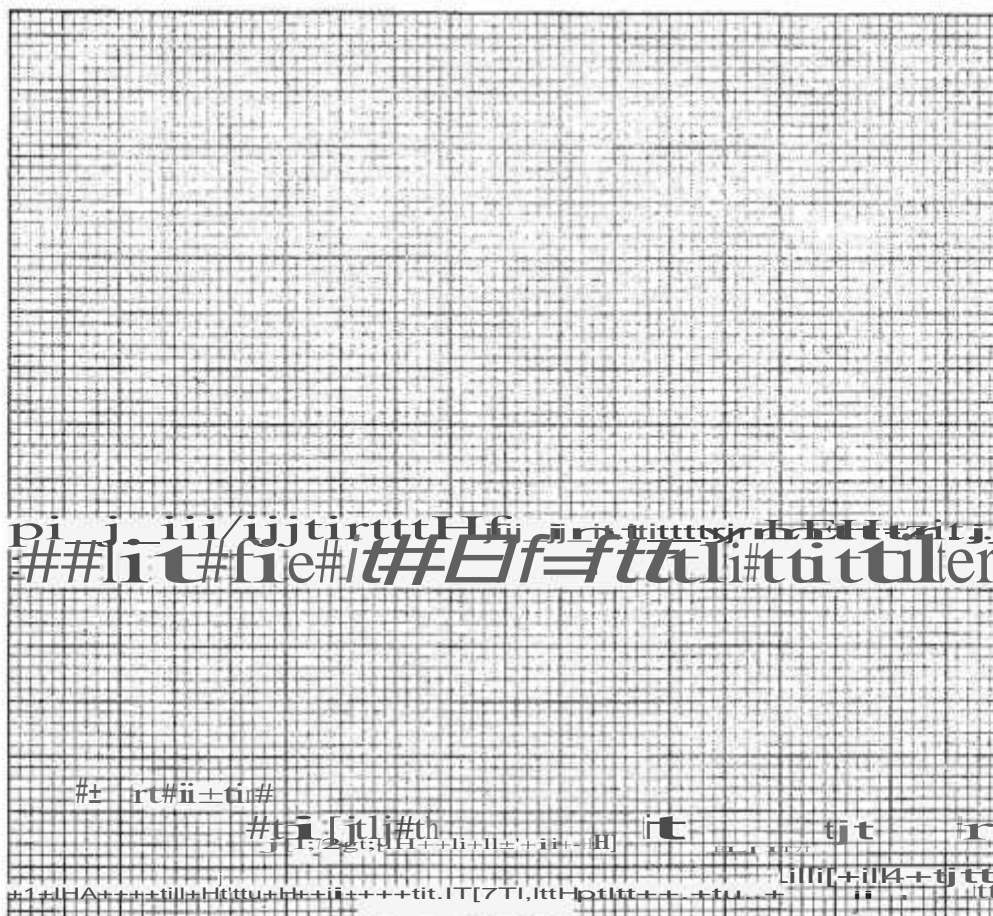
Temperature ($^{\circ}\text{C}$)	Pressure (Atm)	Amount of ethanol at equilibrium (Moles)
300	50	0.40
300	60	0.46
300	70	0.55
250	50	0.42
350	50	0.38

- (c) State whether the reaction between ethene and steam is exothermic or endothermic. Explain your answer. (3 marks)
- (ii) State and explain **one** advantage and **one** disadvantage of using extremely high pressure in this reaction.
- I. Advantage (2 marks)
- II. Disadvantage (2 marks)

- (c) In an experiment to determine the rate of reaction between calcium carbonate and dilute hydrochloric acid, 2g of calcium carbonate were reacted with excess 2 M hydrochloric acid. The volume of carbon (IV) oxide evolved was recorded at regular intervals of one minute for six minutes. The results are shown in the table below.

Time (minutes)	1	2	3	4	5	6
Volume of carbon (IV) oxide (cm ³)	170	296	405	465	480	480

- (i) Plot a graph of time in minutes on the horizontal axis against volume of carbon (IV) oxide on the vertical axis. (3 marks)



- (ii) Determine the rate of reaction at 4 minutes. (2 marks)

- 4 (a) **When** excess calcium metal was added to 50 cm³ of 2 M aqueous copper (II) nitrate **in a** beaker, a brown solid and bubbles of gas were observed.

(i) Write **two** equations for the reactions which occurred in the beaker. (2 marks)

(ii) Explain why it is **not** advisable to use sodium metal for this reaction.

(2 marks)