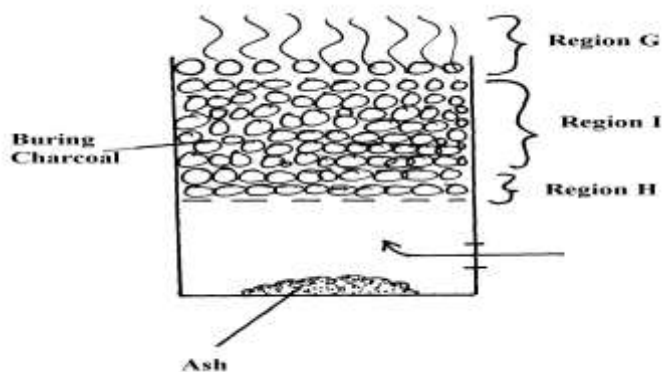


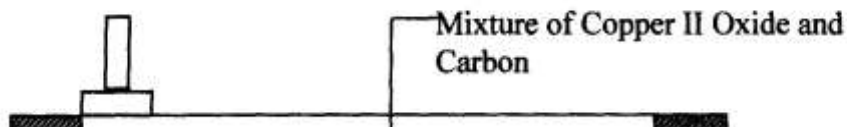
## Carbon and its compounds

- State **one** use of graphite
  - Both graphite and diamond are allotropes of element Carbon. Graphite conducts electricity whereas diamond does not. Explain
- Below is a simplified scheme of solvay process. Study it and answer the questions that follow:  
Brine

- Identify gas R.
  - Write an equation for the process III.
  - Give **one** use of sodium carbonate.
- A burning magnesium continues to burn inside a gas jar full of carbon (IV) oxide. Explain.
  - The diagram below shows a jiko when in use



- Identify the gas formed at region **H**
- State and explain the observation made at region **G**

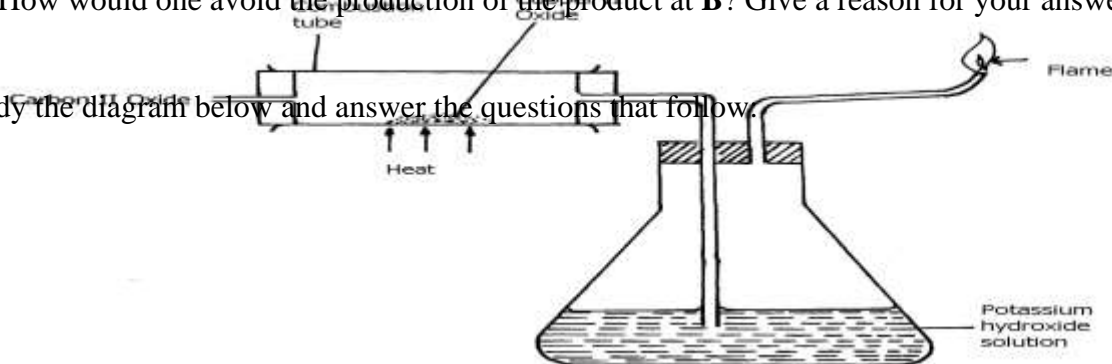


5. Study the diagram below and use it to answer the questions that follow.

- (a) State the observation made in the combustion tube.
  - (b) Write an equation for the reaction that took place in the combustion tube
  - (c) Give **one** use of **P**
6. (a) Identify **two** substance that are reacted to regenerate ammonia gas in the solvay process
  - (b) Write down a balanced chemical equation for the reaction above
7. When the oxide of element **H** was heated with powdered Carbon, the mixture glowed and Carbon (IV) oxide was formed. When the experiment was repeated using the oxide of element **J**, there was no apparent reaction
    - (a) Suggest **one** method that can be used to extract element **J** from its oxide
    - (b) Arrange the elements **H, J** and Carbon in order of their decreasing reactivity
  8. (i) Diamond and silicon (IV) Oxide have a certain similarity in terms of structure and bonding. State it
  - (ii) State **one** use of diamond
9. (a) What is allotropy?
  - (b) Diamond and graphite are allotropes of Carbon. In terms of structure and bonding explain why graphite conducts electricity but not diamond
10. The diagram below shows a charcoal stove with different regions

- (a) Write an equation for the formation of the product in region **B**
- (b) How would one avoid the production of the product at **B**? Give a reason for your answer

11. Study the diagram below and answer the questions that follow.

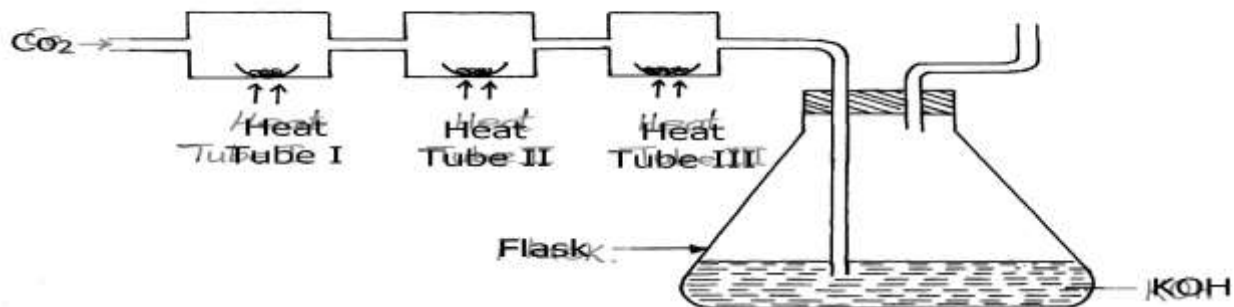


- (a) Explain the observation made in the combustion tube during the experiment  
(b) Write an equation for the reaction that takes place in the combustion tube
12. Diamond and graphite are allotropes of carbon:-  
(a) What is meant by allotropes?  
(b) How do they differ in their structure and bonding
13. Study the experimental set-up below:
- a) State **two** observations made in the set up as the experiment progressed  
b) By use of a chemical equation, explain the changes that occurred in the boiling tube  
c) Why was it necessary to burn the excess gas?
14. The diagram below shows the heating curve of a pure substance. Study it and answer the questions that follow:
- (a) What physical changes are taking place at **H** and **W**?

- (b) What are the physical states of the substance at **Y** and **K**?
- (c) Using the simple kinetic theory of matter, explain what happens to the substance between points **A** and **C**

- (d) The substance under test is definitely not water; Give a reason for this
- (e) What would happen to the melting point of this substance if it were contaminated with sodium chloride?
- (f) What happens to the temperature between points **B** and **C**?

15. Study the set-up below and answer the questions that follow:



- (a) (i) Name Gas **X** .....
- (ii) State the effect of releasing gas **X** to the environment
- (b) Write down equations for the reactions taking place in;
- (i) Tube **I**
- (ii) Tube **II**
- (iii) Flask
- (c) State the observation made in tube **III**
- (d) Write down an equation for the reaction which could be used to generate Carbon (IV) Oxide for the above set up
- (e) Name the reagents used to generate gas **x** in the laboratory
- (f) Complete the diagram above to show how excess gas **x** can be collected
16. The figure below shows the stages in the manufacture of sodium carbonate. Study the diagram below and use it to answer the questions that follow.

- a) (i) Name **three** starting materials in the manufacturer of sodium carbonate.  
(ii) Which substances are recycled in this process?  
(iii) Identify the chambers in which the recycled substances are regenerated.  
(iv) Name the substances **U** and **V**.

b) Give an equation for the reaction which occurs:

- (i) In the reaction chamber 1
  - (ii) When solid V is heated.
  - (iii) In the reaction chamber 3.
- c) State **one** commercial use for
- (i) Sodium carbonate.



17. The set-up below was used to prepare dry carbon (II) Oxide gas. use it to answer the questions below it:

(a) (i) State **two** mistakes committed in the set-up arrangement above

(ii) The student produced carbon (IV) oxide gas from the reaction between Lead (II) Carbonate and dilute hydrochloric acid. The gas was produced for a short time and the reaction came to a stop. Explain

(iii) Write the equation for the reactions taking place in the combustion tube and the conical flask:

Combustion tube:.....

Conical flask .....

(iv) State **one** use of carbon (IV) Oxide gas apart from fire extinguisher

(v) Give **two** properties that make carbon (IV) Oxide to be used as fire extinguisher



Which property of carbon (II) Oxide is demonstrated by the above equation?

(c) Aluminium carbonate does not exist. Give a reason

(d) Ammonium carbonate decomposes when heated. Write a chemical equation to represent this decomposition

18. State and explain the observation made when a piece of charcoal is dropped in a jar containing concentrated nitric (V) acid

19. When Carbon (IV) oxide is passed through lime water, a white precipitate is formed but when excess Carbon (IV) Oxide is passed, the white precipitate disappears;

(a) Explain why the white precipitate disappears

(b) Give an equation for the reaction that takes place in (a) above

20. The set-up below was used to prepare a carbon (II) oxide gas.

- (a) Give the name of substance **A** .....
- (b) Complete the diagram to show how the gas can be collected
- (c) Write the equation for the reaction