

Name: \_\_\_\_\_

Index No: \_\_\_\_\_ / \_\_\_\_\_

8011/2  
ECDE CERTIFICATE PROFICIENCY  
ARITHMETIC  
December 2016  
Time: 1 hour

Candidate's signature: \_\_\_\_\_

Date: \_\_\_\_\_



THE KENYA NATIONAL EXAMINATIONS COUNCIL  
EARLY CHILDHOOD DEVELOPMENT AND EDUCATION  
CERTIFICATE PROFICIENCY EXAMINATION

ARITHMETIC

1 hour

**INSTRUCTIONS TO CANDIDATES**

*Write your name and index number in the spaces provided above.  
Sign and write the date of examination in the spaces provided above.  
Answer ALL the questions in the spaces provided in this question paper.  
Do NOT remove any pages from this booklet.  
Candidates should answer the questions in English.*

**For Examiner's use only**

Maximum Score	Candidate's Score
40	

**This paper consists of 7 printed pages.**

**Candidates should check the question paper to ascertain that all the pages are printed as indicated and that no questions are missing.**

Powered by: <http://college.manyamfranchise.com>

1. Evaluate:

$$\frac{8 + 0.5 \text{ of } 0.3 - 0.05}{0.09}$$

(3 marks)

2. Peter deposited sh 50 000 into a bank that offered compound interest at the rate of 10% per annum. Calculate the total amount of money he had in the bank at the end of two years. (3 marks)

3. Construct triangle PQR in which PQ = 5 cm, PR = 7 cm and QR = 6.5 cm. Bisect angle PQR and let the bisector meet line PR at M. (2 marks)

Measure and determine the size of angle PQM.

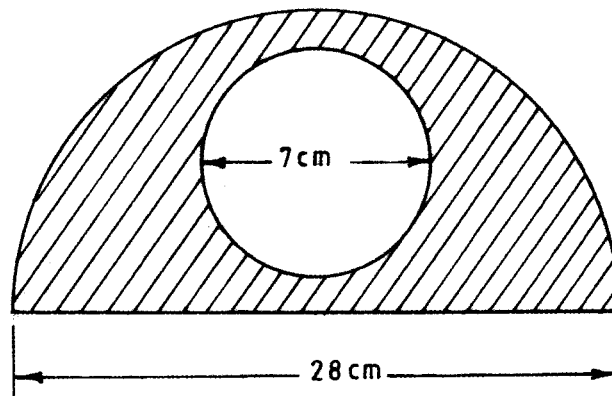
(1 mark)

Powered by: <http://college.manyamfranchise.com>

4. Atieno woke up at 5.30 am after sleeping for 7 hours 45 minutes. Find the time she slept in 12 hour system. (3 marks)

5. On a certain day, the number of men in a function was half that of women. The number of children was three times that of women. The number of women who attended was  $3x$ . Find the sum of men and children. (2 marks)

6. Calculate the area of the shaded region for the figure given below. (Take  $\pi = \frac{22}{7}$ ). (3 marks)



[Ecolebooks.com](http://Ecolebooks.com)



Powered by: <http://college.manyamfranchise.com>

[DOWNLOAD MORE RESOURCES LIKE THIS ON ECOLEBOOKS.COM](http://EcoleBooks.com)

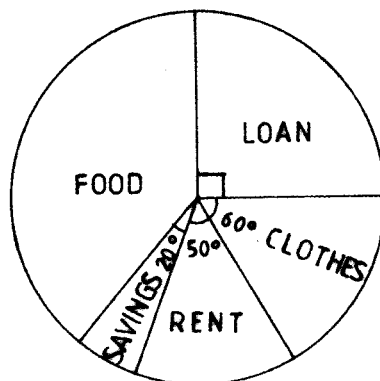
7. Ten students scored the following marks in a test marked out of 10.

6, 10, 8, 8, 9, 12, 6, 7, 5 and 9.

Find the median score.

(3 marks)

8. The pie chart below shows how Kassim spent his salary.



He spent sh 7000 on food.

Determine how much more money Kassim spent on loan than on rent.

(3 marks)

Powered by: <http://college.manyamfranchise.com>



9. A cylindrical tank of radius 2.8 cm contains  $36.96 \text{ cm}^3$  of water. Calculate the depth of water in the tank. (3 marks)  
(Take  $\pi = \frac{22}{7}$ ).

10. Each of the diagonals of a rectangular flower garden is 65 m. One side of the garden is 25 m long. Determine the length of the other side of the garden. (3 marks)

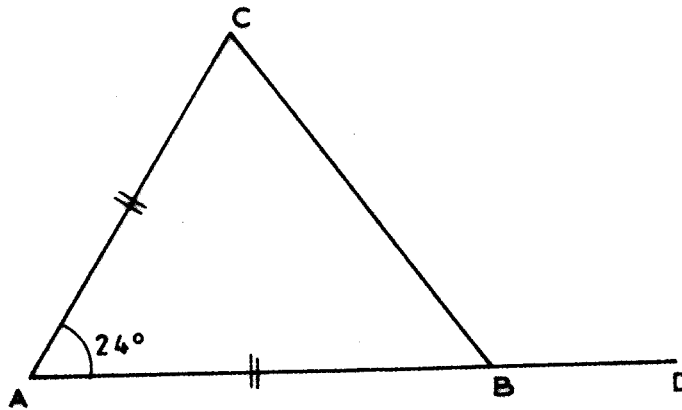
[Ecolebooks.com](http://Ecolebooks.com)



Powered by: <http://college.manyamfranchise.com>

[DOWNLOAD MORE RESOURCES LIKE THIS ON ECOLEBOOKS.COM](http://EcoleBooks.com)

11. In the figure below, triangle ABC is an isosceles, line  $AB = AC$  and angle  $CAB = 24^\circ$ .  
Find the size of angle CBD. (3 marks)



12. The table below shows distances in kilometres between A, B, C and D.

	A		
90		B	
123	147		C
113	150	82	D

Calculate the distance between towns D to A via town C.

(2 marks)

[Ecolebooks.com](http://Ecolebooks.com)



Powered by: <http://college.manyamfranchise.com>

[DOWNLOAD MORE RESOURCES LIKE THIS ON ECOLEBOOKS.COM](http://EcoleBooks.com)

---

13. Ten identical taps can fill a tank of water in 8 minutes, how many more taps would be needed to fill the tank in 5 minutes. (3 marks)

14. The ratio of boys to girls in a school is 3:5. There are 168 boys. Determine the number of pupils in that school. (3 marks)

**THIS IS THE LAST PRINTED PAGE**

Powered by: <http://college.manyamfranchise.com>