

NAME OF LEARNER:

NAAM VAN LEERDER:

CLASS:

KLAS:

**NATIONAL SENIOR CERTIFICATE  
 NASIONALE SENIOR SERTIFIKAAT**

**MATHEMATICS P2/WISKUNDE V2**

**GRADE/GRAAD 10**


**NOVEMBER 2017**

**SPECIAL ANSWER BOOK  
 SPESIALE ANTWOORDEBOEK**

QUESTION VRAAG	MARK PUNT			INITIAL PARAAF	MODERATION MODERERING			INITIAL PARAAF
1								
2								
3								
4								
5								
6								
7								
8								
9								
<b>TOTAL TOTAAL (100)</b>								

**This answer book consists of 15 pages.  
 Hierdie antwoordeboek bestaan uit 15 bladsye.**

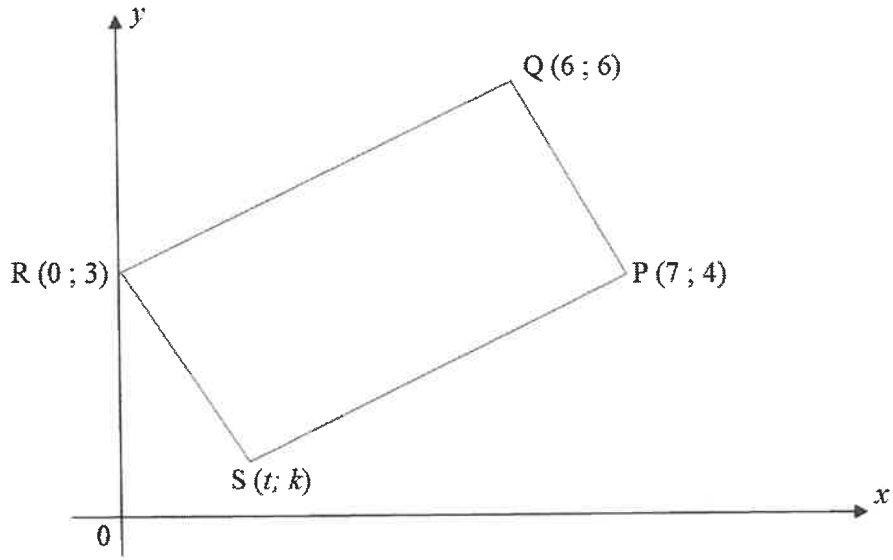
**QUESTION/VRAAG 1**

	<b>Solution/Oplissing</b>	<b>Marks Punte</b>
1.1		(2)
1.2		(2)
1.3		(3)
1.4		(3)
		<b>[10]</b>

**QUESTION/VRAAG 2**

	<b>Solution/Oplissing</b>	<b>Marks Punte</b>
2.1		(1)
2.2		(1)
2.3		(3)
2.4		(2)
		<b>[7]</b>

**QUESTION/VRAAG 3**



	<b>Solution/Oplissing</b>	<b>Marks Punte</b>
3.1		(2)
3.2		(3)
3.3		(2)

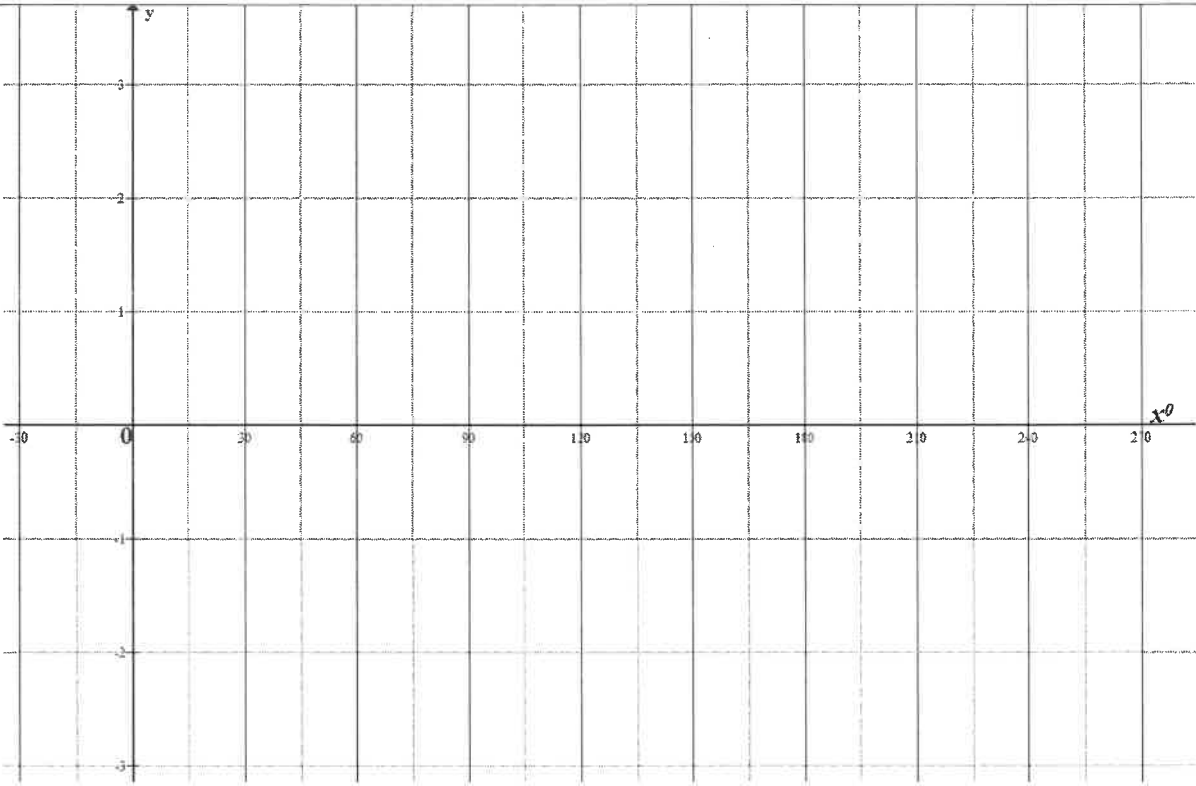
3.4		(4)
3.5		(2)
3.6		(3)
		[16]

**QUESTION/VRAAG 4**

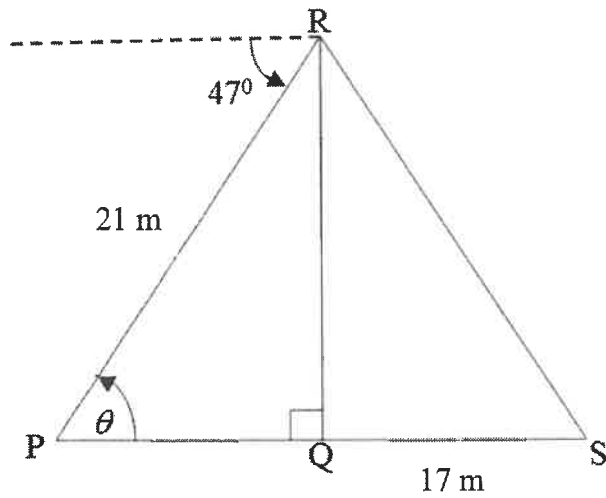
	<b>Solution/Oplissing</b>	<b>Marks Punte</b>
4.1.1(a)		(4)
4.1.1(b)		(4)
4.1.2		(3)

4.2		(3)
4.3		(2)
		[16]

**QUESTION/VRAAG 5**

5.1		(6)
5.2.1		(1)
5.2.2		(2)
5.3.1		(1)
5.3.2		(3)
		<b>[13]</b>

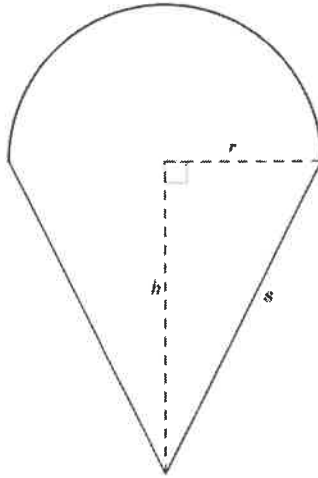
**QUESTION/VRAAG 6**



	<b>Solution/Oplissing</b>	<b>Marks Punte</b>
6.1		(1)
6.2		(3)
6.3		(2)
6.4		(4)
		<b>[10]</b>



**QUESTION/VRAAG 7**

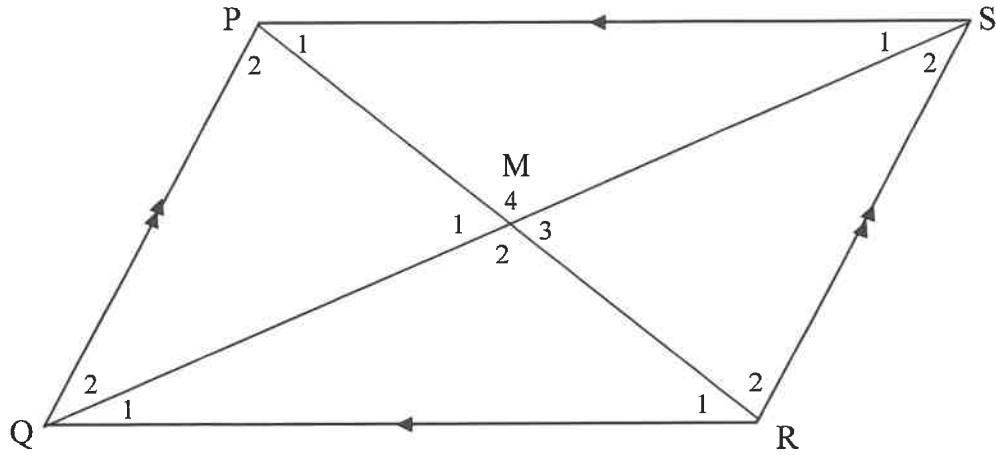


	<b>Solution/Oplissing</b>	<b>Marks Punte</b>
7.1		(2)
7.2		(2)
7.3		(2)
		<b>[6]</b>

**QUESTION/VRAAG 8**

	Solution/Oplissing	Marks Punte
8.1		
8.1.1		
		(1)
8.1.2		
		(2)
8.1.3		
		(2)

8.2



---

---

---

---

---

---

---

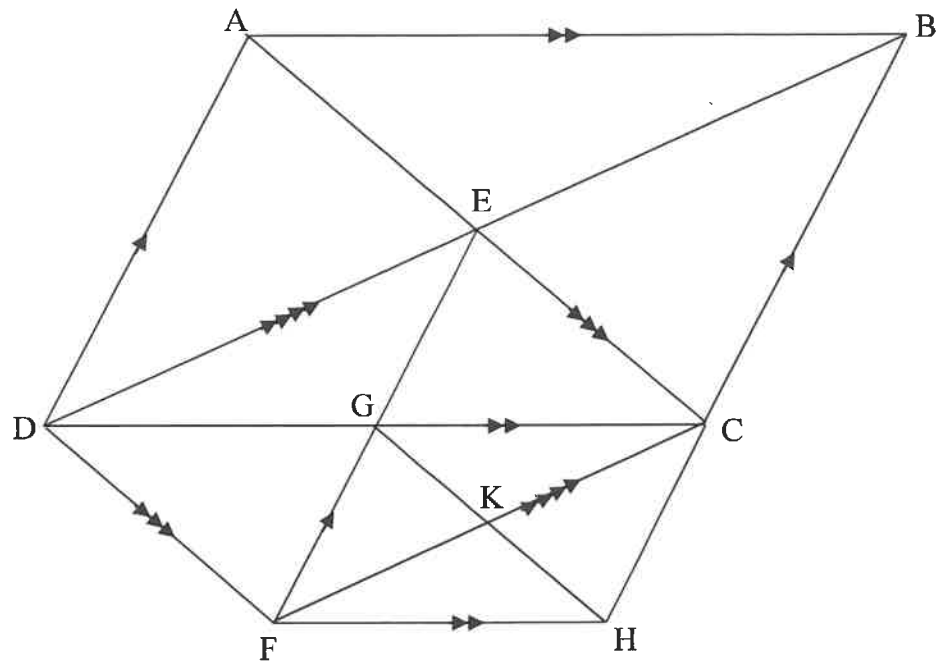
---

---

---

(4)

8.3



---

---

---

---

---

---

---

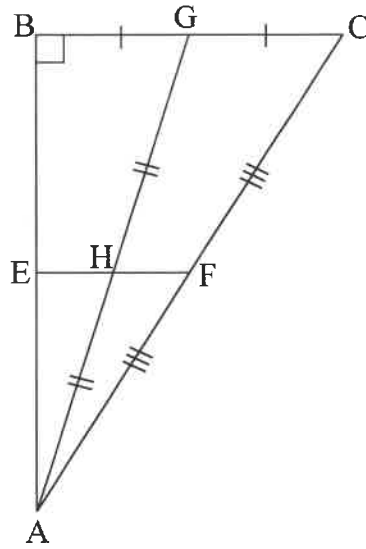
---

---

---

(4)  
[13]

**QUESTION/VRAAG 9**



9.1		(3)
9.2		(3)
9.3		(3)
		<b>[9]</b>



