



# basic education

Department:  
Basic Education  
**REPUBLIC OF SOUTH AFRICA**

**NATIONAL  
SENIOR CERTIFICATE**

**GRADE 12**

**MATHEMATICAL LITERACY P2**

**ADDENDUM**

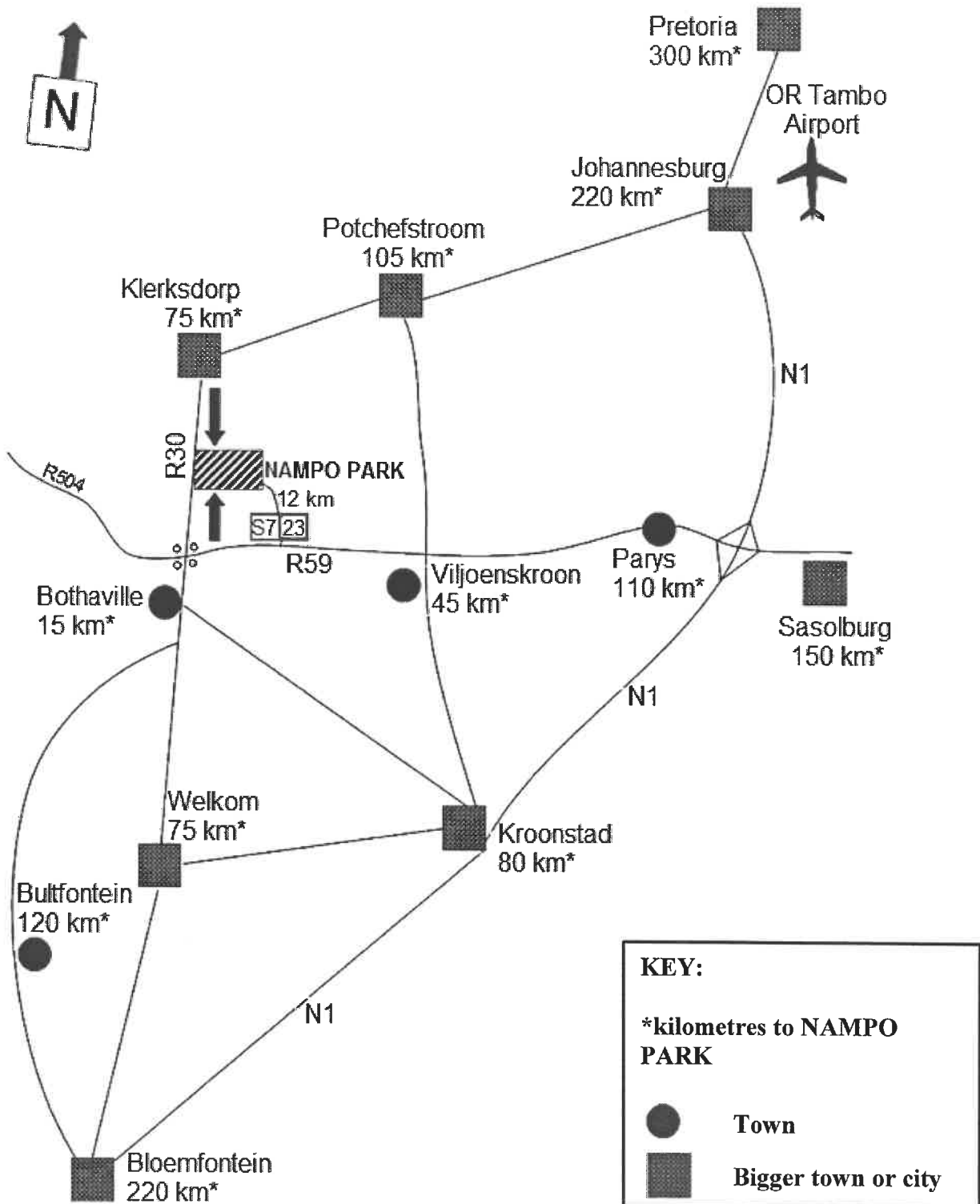
**NOVEMBER 2019**

**This addendum consists of 6 pages with 5 annexures.**

ANNEXURE A

QUESTION 1.1

ROUTE MAP TO NAMPO PARK

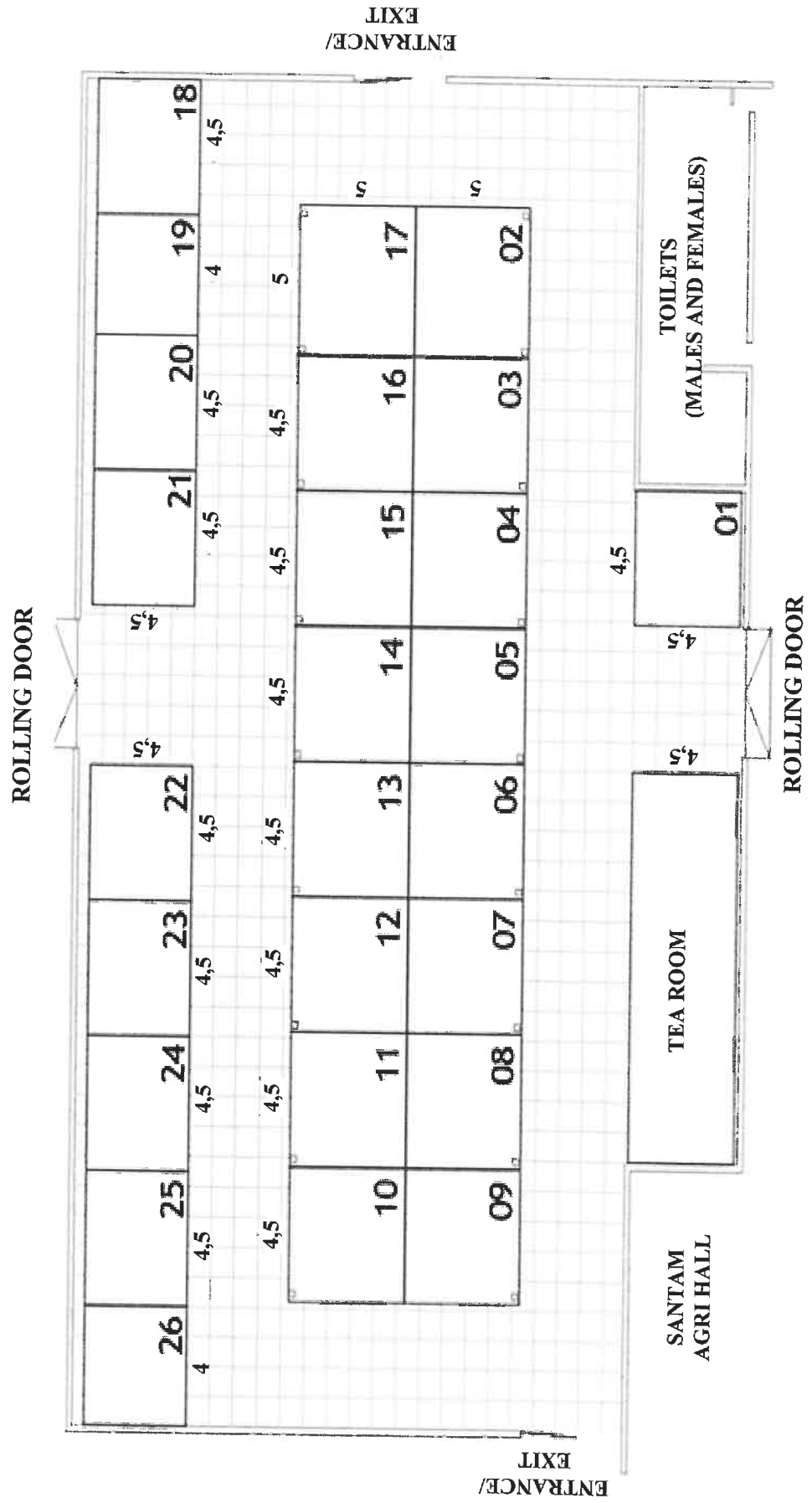


[Adapted from [grainsa.co.za](http://grainsa.co.za)]

**ANNEXURE B**

**QUESTION 1.3**

**FLOOR PLAN OF AN EXHIBITION HALL AT NAMPO PARK**



**ANNEXURE C****QUESTION 2.2****TAX RATES FOR INDIVIDUALS****2018/2019 TAX YEAR (1 MARCH 2018–28 FEBRUARY 2019)**

| <b>TAXABLE INCOME</b> | <b>RATES OF TAX</b>                             |
|-----------------------|---|
| 0–195 850             | 18% of taxable income                           |
| 195 851–305 850       | 35 253 + 26% of taxable income above 95 850     |
| 305 851–423 300       | 63 853 + 31% of taxable income above 305 850    |
| 423 301–555 600       | 100 263 + 36% of taxable income above 423 300   |
| 555 601–708 310       | 147 891 + 39% of taxable income above 555 600   |
| 708 311– 1 500 000    | 207 448 + 41% of taxable income above 708 310   |
| 1 500 001 and above   | 532 041 + 45% of taxable income above 1 500 000 |

| <b>TAX REBATE</b>        | <b>2019</b> |
|--------------------------|-------------|
| Primary                  | R14 067     |
| Secondary (65 and older) | R7 713      |
| Tertiary (75 and older)  | R2 574      |

| <b>MEDICAL SCHEME TAX REBATES</b>                       | <b>2019</b> |
|---|-------------|
| <b>PER MONTH (R)</b>                                    |             |
| For the tax payer who paid medical scheme contributions | R310        |
| For the first dependant                                 | R310        |
| For each additional dependant                           | R209        |

[Source: [sars.gov.za](http://sars.gov.za)]

## ANNEXURE D

## QUESTION 2.4

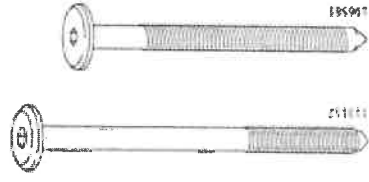


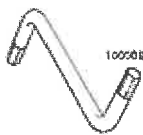
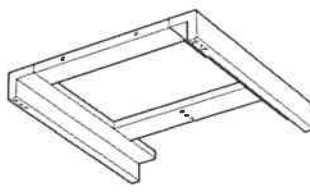

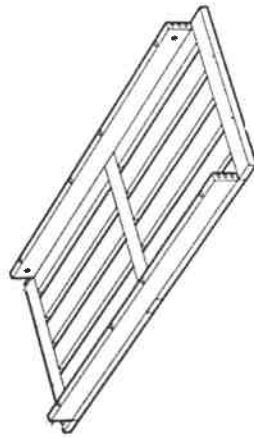
TABLE 1: TOP MARGINAL TAX RATES FOR INDIVIDUALS IN THE G20 COUNTRIES

| COUNTRY                  | UNIT % |          |
|--------------------------|--------|----------|
|                          | 2019   | PREVIOUS |
| Japan                    | 55,95  | 55,95    |
| Netherlands              | 52,00  | 52       |
| Germany                  | 47,50  | 47,5     |
| Australia                | 45,00  | 45       |
| China                    | 45,00  | 45       |
| France                   | 45,00  | 45       |
| South Africa             | 45,00  | 45       |
| Spain                    | 45,00  | 45       |
| United Kingdom           | 45,00  | 45       |
| Italy                    | 43,00  | 43       |
| South Korea              | 40,00  | 40       |
| Switzerland              | 40,00  | 40       |
| United States of America | 37,00  | 39,6     |
| India                    | 35,88  | 35,54    |
| Argentina                | 35,00  | 35       |
| Mexico                   | 35,00  | 35       |
| Turkey                   | 35,00  | 35       |
| Canada                   | 33,00  | 33       |
| Indonesia                | 30,00  | 30       |
| Brazil                   | 27,50  | 27,5     |
| Singapore                | 22,00  | 22       |
| Russia                   | 13,00  | 13       |
| Saudi Arabia             | 0,00   | 0        |

[Source: [tradingeconomics.com/country-list](http://tradingeconomics.com/country-list)]

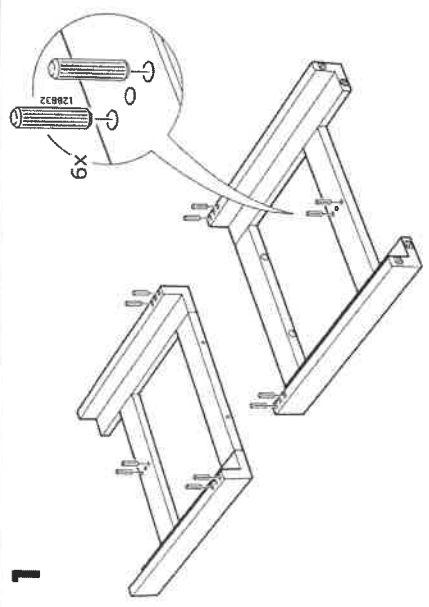
**ANNEXURE E**

**QUESTION 3.5**

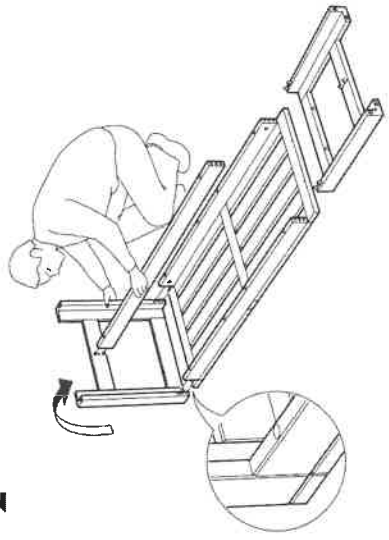
| LIST OF PARTS   |  |   |   |  |   |   |
|---|--|---|---|--|---|---|
| SCREW   | DOWEL  | DOWEL NUT SLEEVE  | ALLEN KEY   | BENCH LEG  | LONG PANEL  | BENCH SEAT  |
| <br>4x    2x    4x | <br>12x | <br>2x    4x | <br>1x | <br>2x | <br>1x | <br>1x |

**STEP BY STEP ASSEMBLY INSTRUCTIONS**

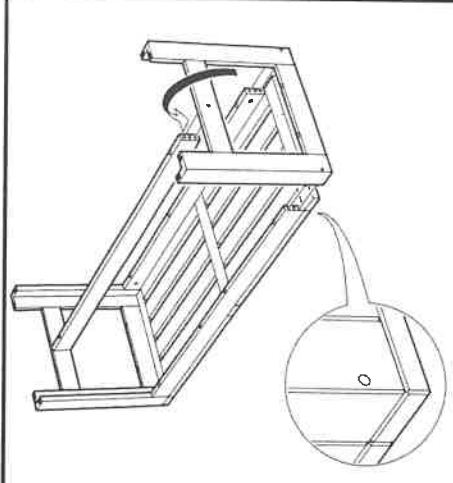
**1**



**2**



**3**



[Source: [ikea.com](http://ikea.com)]

Copyright reserved