

**NAMAGUNGA PRIMARY BOARDING SCHOOL
P.7 REVISION WORK – SET TWO
(MATHEMATICS; 2020)**

Time allowed: 2 Hours 30 Minutes

EMIS NO.			PERSONAL NO.					

Index No;

Candidate's Name:.....

Candidate's Signature:.....

District:.....

DO NOT OPEN THIS BOOKLET UNTIL YOU ARE TOLD TO DO SO

Read the following instructions carefully:

1. This paper has **two** Sections: **A** and **B**.

FOR EXAMINERS' USE ONLY

FOR EXAMINERS' USE ONLY		
QN. NO.	MARK	SIGN
1 - 5		
6 - 10		
11 - 15		
16 - 20		
21 - 22		
23 - 24		

2. Section **A** has **20** questions (40 marks)
3. Section **B** has **12** questions (60 marks).
4. Answer **ALL** questions: All answers to both Sections **A** and **B** must be written in spaces provided in full sentences.
5. All answers must be written using a blue or black ballpoint pen or ink but not pencil. All work done in pencil except diagrams will **NOT** be marked.
6. Unnecessary alteration of work will lead to loss of marks.
7. Any handwriting that cannot be easily read, may lead to loss marks.

25 - 26		
28 - 30		
31 - 32		
TOTAL		

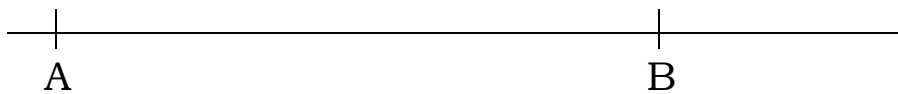
SECTION A: (40 MARKS)

- 1) Add; 56 to 702.

- 2) Given that set $A = \{\text{first three even numbers}\}$; list all the subsets of A.

- 3) Namanya is twice as old as Moses. If the product of their ages is 72 years, how old is Moses?

- 4) Convert 0.2 cm to metres.
- 5) The exchange rate in the forex bureau;
1 US Dollar = Ug. sh.3,800. If a tourist has **US Dollar 1, 200**, how much money in Uganda shillings will he get after exchange?
- 6) Using a ruler and a pair of compasses only, drop a perpendicular from point P to line AB. P



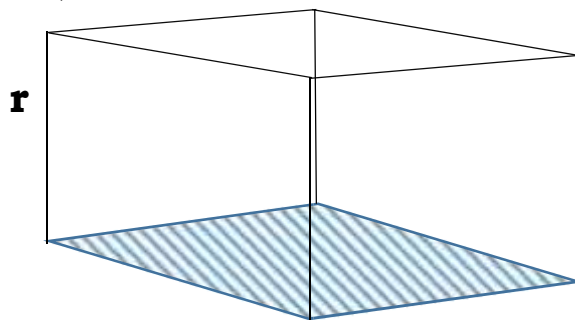
- 7) Simplify: $-6 + -9$.
- 8) Express 7:30 p.m. as 24-hour clock notation.

- 9) Find the mean of: 8, $3p$, $1 + p$ and 3.
- 10) Subtract $\frac{1}{3}$ from $\frac{1}{2}$.
- 11) Given that **p** and **q** are numbers whose LCM is 180 and GCF is 15; find **q** if **p** is 45, find the other number.
- 12) Use distributive property to work out: $(490 \div 7) - (210 \div 7)$.
- 13) A car uses 7 litres of petrol to cover a distance of 28 km, how many litres of petrol can it to cover a distance of 64 km?
- 14) Lady Nanbatya was born in 35 BC and died in 40 AD. How old was she by the time she died?
- 15) Subtract $y - 4$ from $8y + 3$

16) Kato borrowed sh.900,000 to buy a T.V set at an interest rate of $2\frac{1}{2}\%$ per annum for 3 years. What amount will she pay back all together?

17) Find number, when divided by 4, 1 remains and when divided by 5, 2 remains?

18) The area of the shaded part is 48 cm^2 , if its volume is 480 cm^3 ; calculate the value of r .



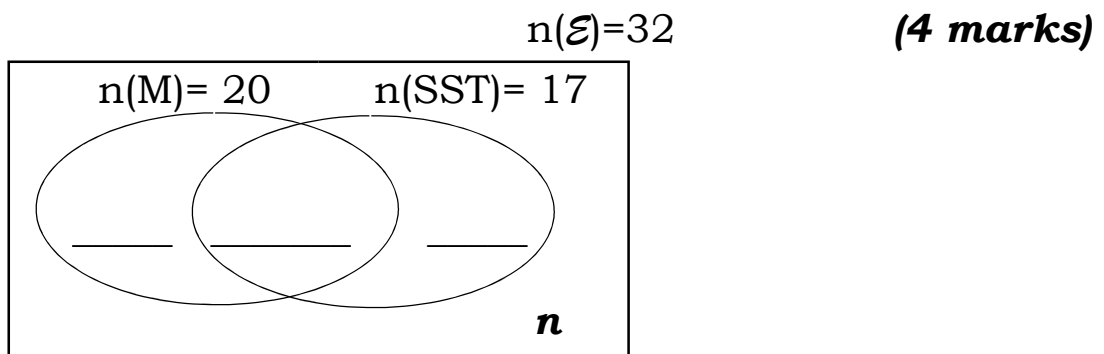
19) In a class, 14 pupils like Mathematics (M), 15 like Science(S), 6 like both subjects and 3 like neither of the subjects. Find the probability of picking a pupil at random who doesn't like Mathematics.

20) John's age is the quotient of the value of 4 and the place value of 9 in 495. How old is he?

SECTION B (60 MARKS)

21) In a class of 32 pupils, all pupils like English (E), 20 pupils like Mathematics (M) and 17 like SST(S). If the number of those who like both Mathematics and SST is twice those who like neither.

(a) Complete the Venn diagram below correctly:



(b) How many more pupils like Mathematics than SST? **(2 marks)**

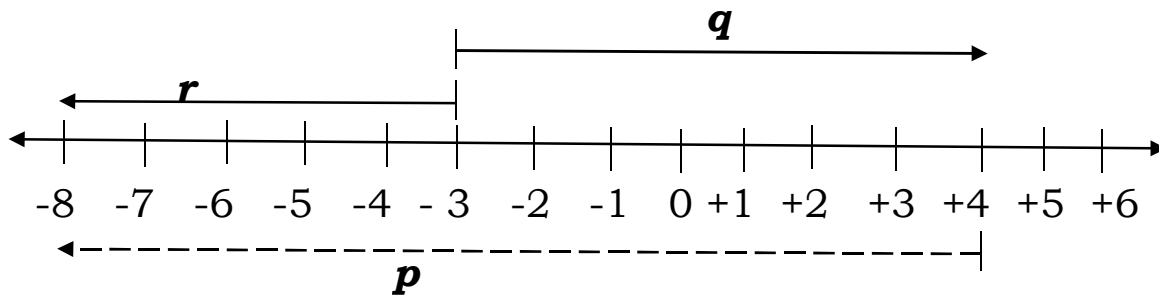
22) Mary went shopping and bought the following items: □ 5 books for sh. 2,000.

- $1\frac{1}{2}$ litres of cooking oil for sh. 1,400 per litre.
- 500 g of sugar for sh. 4,000 per kg.
- 20 tomatoes at sh. 1,000 for every 5 tomatoes.
- 6 litres of milk at sh.800 per half litre.

(a) How much money did she spend altogether? **(5 marks)**

(b) If she went with 5 twenty thousand shilling notes, how much was her change? **(1 marks)**

23) Study the number line below and use it to answer the questions that follow.

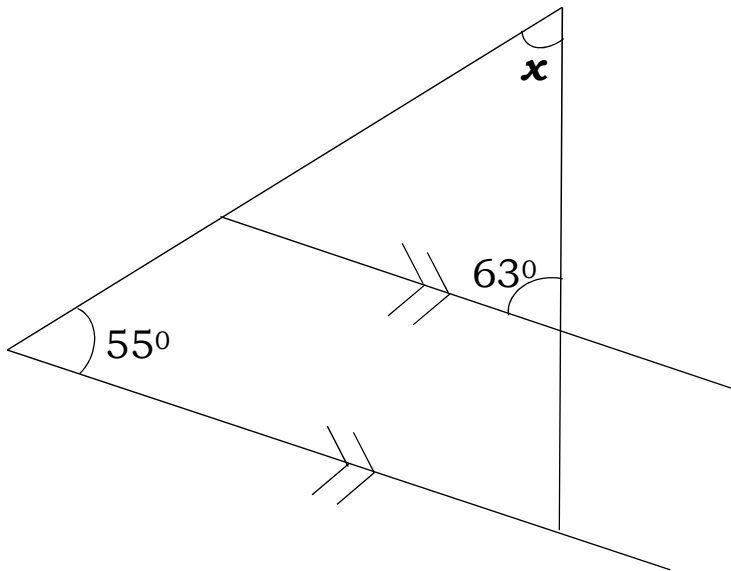


(a) Find the values of; **(1 mark each)**

(i) $p =$ _____ (ii) $q =$ _____ (iii) $k =$ _____

(b) Write the mathematical sentence for the above number line above: **(2 marks)**

24). a) Use the figure below, find the value of x



(2 marks)

(b) Find the interior angle sum of a regular polygon whose exterior angle is 15° . **(3 marks)**

25) Tom's father bought 8 shirts for sh $(a - 130)$ each and two bunches of matooke at sh. $(a + 20)$ each. He spent sh. 53,000 on shirts and matooke altogether. How much money did he spend on each item? **(4 marks)** 26).a) If today is Thursday, what day of the week will it be after 85 days? **(2 marks)**

(b) Find the value of y.

$$42_{\text{eight}} = 37_{\text{y}}$$

(3 marks)

27). In a primary school, two bells, one for lower and another for upper are rung at intervals of 30 minutes and 40 minutes respectively. If they were first rang at 11:30 a.m, at what time will they ring together again? **(5 marks)**

28).a) Simplify: 4.8×10^{-5}

(2 marks)

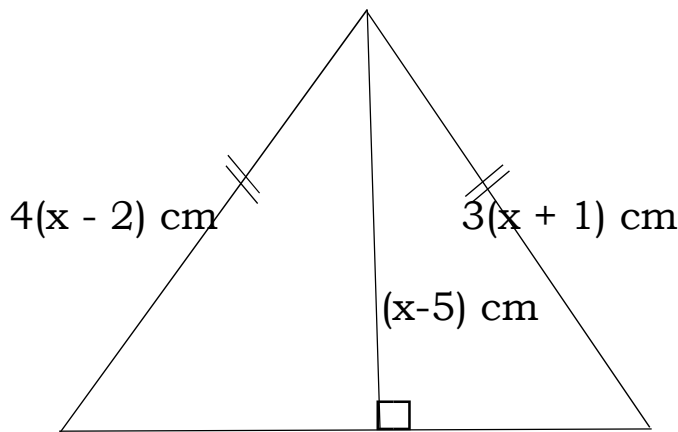
(b). The reading of a water metre at the beginning of the month was 0040702 units and at the end of the month it was 0049611 units. How much money will Emanuella pay if a unit is at sh.3,500?

29).a) Simplify; $\frac{2}{34} \times \frac{1}{125} - \frac{1}{125} \div \frac{1}{34}$

(3 marks)

(b). A tank $\frac{4}{5}$ is full of petrol. When 6 litres of petrol are sold, it $\frac{1}{5}$ becomes full. How many litres of petrol does it hold when

completely full? **(3 marks)** 30). Use the figure below to answer the following questions



(a) Find the value of x. **(2 marks)**

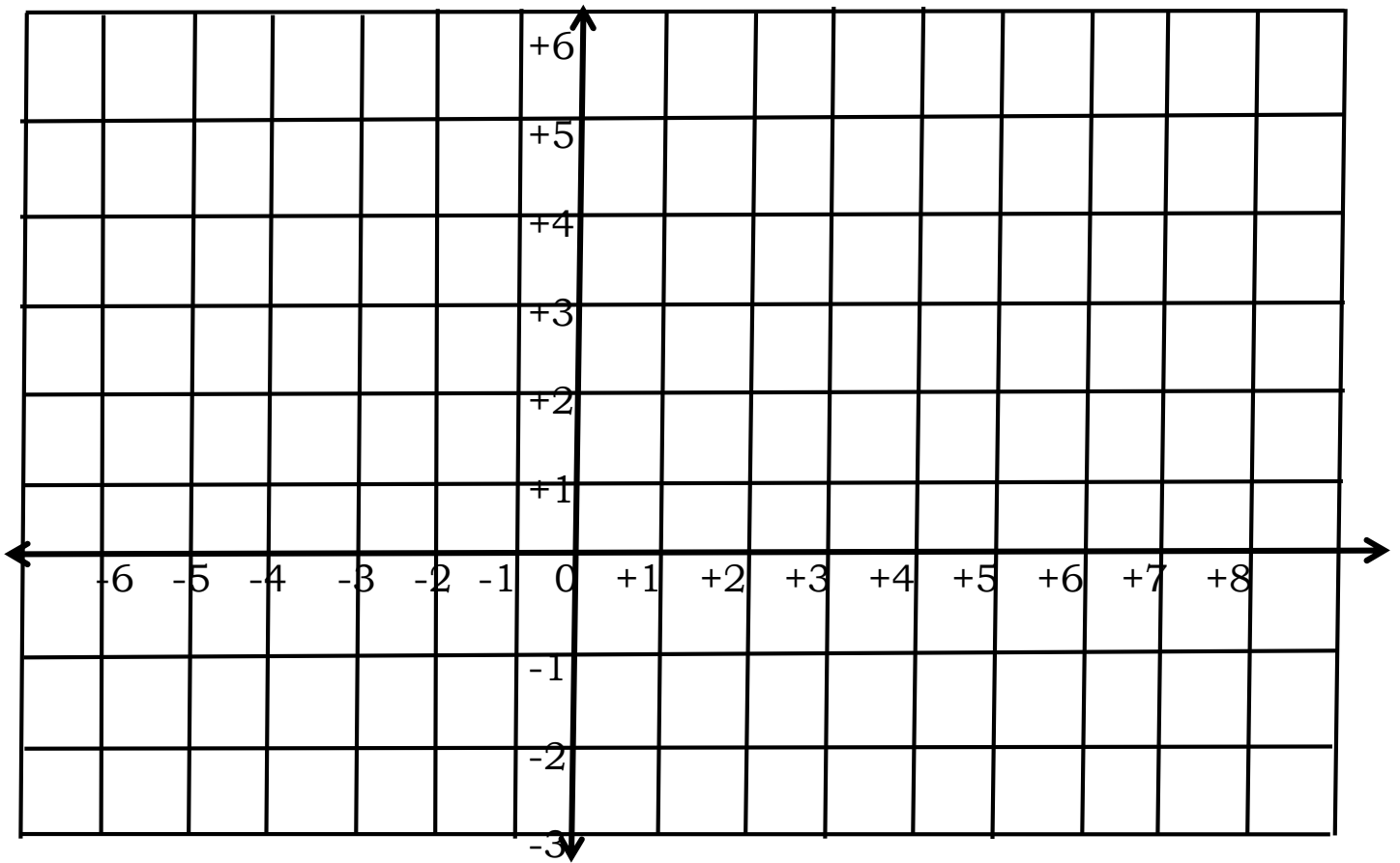
(b). Work out the actual height of the figure. **(1 mark)**

(c). Calculate its area of the figure. **(2 marks)**

31). Peter left his home at 7:00 a.m. riding a bicycle and arrived at his place of work 25 km away at 9:30 a.m.

(a). Find his average speed.

(b). If he left his place of work at 5:00 p.m. riding at an average speed of 15 km/hr. at what time did he get home? 32). Use the grid below to answer questions that follow:



- (a) Plot the following points: $K(-3,-1)$, $M(+6,-1)$, $L(-1,+3)$, $J(+8,+3)$
- (b) Join the points to form a geometrical shape.
- (c) Find the area of the geometrical figure formed.