

735/2
Technical Drawing
Paper 2
July 2018
3 hours



ACEITEKA JOINT MOCK EXAMINATIONS 2018
UGANDA CERTIFICATE OF EDUCATION
TECHNICAL DRAWING
MECHANICAL DRAWING
PAPER 2
3 HOURS

Instructions to Candidates:

The paper consists of **TWO** questions.

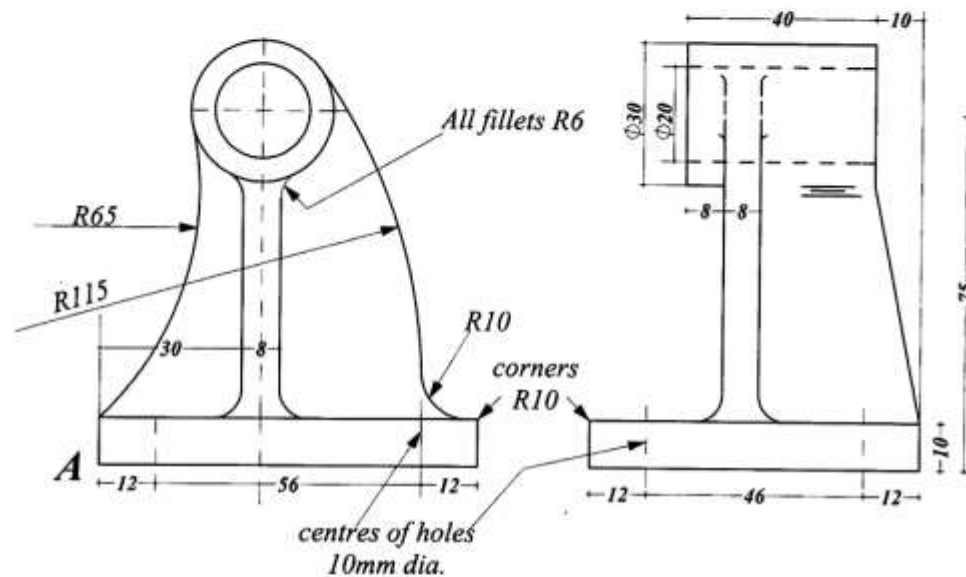
Answer **all** the questions.

A sheet (s) of drawing paper is provided.

Use both sides of the paper if necessary where dimensions are not given, use your own discretion to determine suitable specifications.

SECTION A (20 MARKS)

Orthographic views of a **BEARING BRACKET** in first angle projection are shown in the figure below. Study the views and sketch freehand and in good proportion an isometric view of the bracket with corner A in the foreground. Use the given dimensions as a guide to the general proportions.

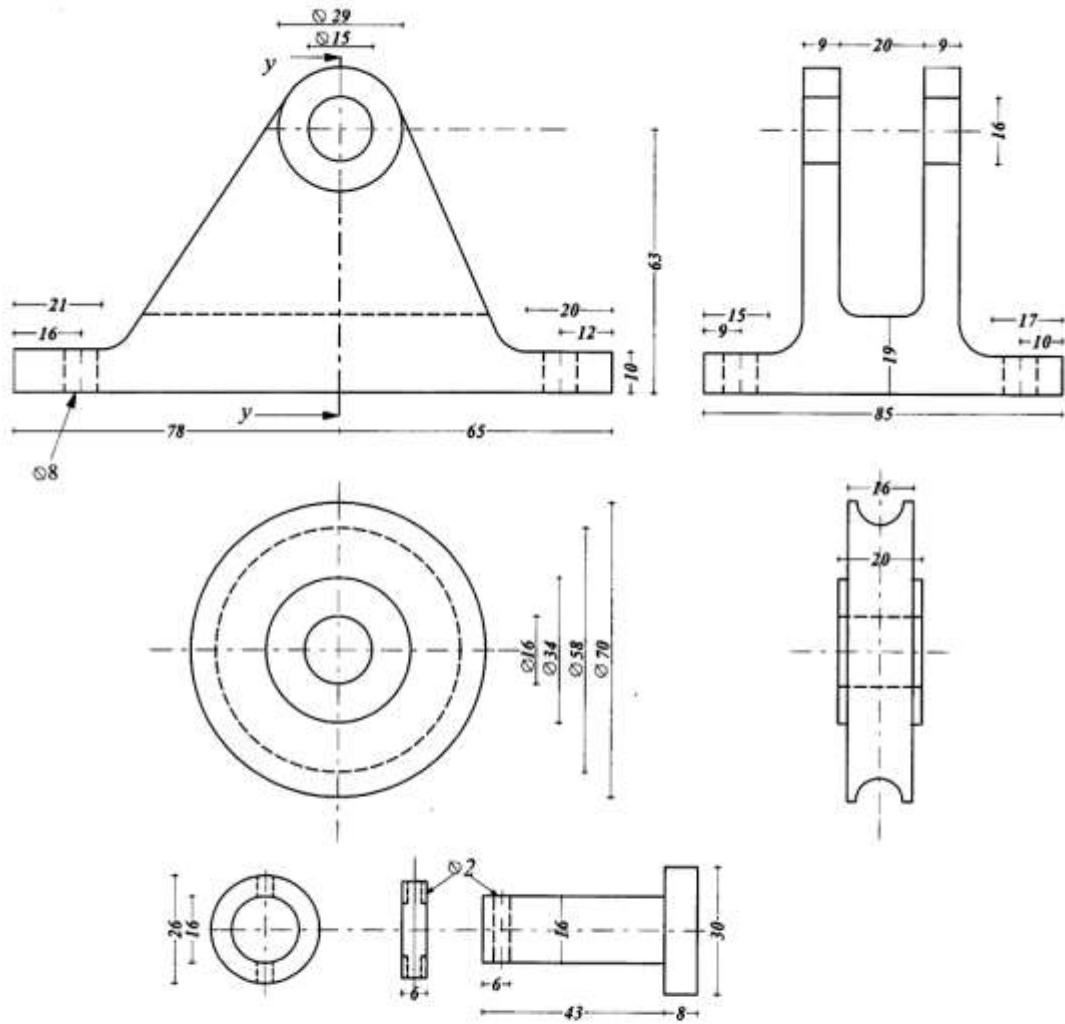


first angle projection

SECTION B (80 MARKS)

Details of a pulley bracket assembly are shown in the figure below, the pulley is held in position by a split pin which is not shown and not required, with parts fitted together, draw full size in third angle projection:

- i) a front elevation
- ii) section y-y
- iii) plan



Details of a pulley bracket assembly