



S.6 TECHNICAL DRAWING PAPER TWO

Fig 1 is a residential house not drawn to scale. The apron is 450mm wide and 150mm thick.

All openings are bridged with concrete lintels The beam is 225mm wide and 230mm high.

SPECIFICATIONS:

- Roof: Timber framed roof pitched at 30° and covered with tiles Timber rafters 100mm x 50mm, Struts 100mm x 50mm, Purlins 100mm x 50mm, Battens 50mm x 50mm, Tie beams 150mm x 50mm, Wall plates 100mm x 75mm. Fascia boards and barge boards 225mm x 25mm.
- Walls: 3000mm high from the floor level to the underside of the wall plate. All walls are 230mm thick, Concrete window sills are 100mm thick.
- Doors: D1 is a double leaf casement door 1000mm wide and 2100mm high
D2 = Two paneled wooden doors 900mm x 2100m
D3 is a steel door 2100mm X 2700mm
- Windows: W1 = 1200 x 1200 casement, W2= 600 wide x 600 casement
- Floor: Suspended timber ground floor with 25mm thick tongue and groove boards, 150 x 50 joists, 100 x 75 wall plates, 400mm high sleeper walls.
- Foundation: 690mm X 230mm concrete strip cast 900mm below the ground level. 230mm thick plinth wall.

(a) Draw the plan to a scale of 1:50

- (b) Draw section A – A to a scale of 1:50
- (c) Draw the front view to a scale of 1: 50
- (d) Draw a **free hand** pictorial sketch of the house with corner **P** in the foreground.

END

© 2020 J.J. KCB TD Dpt

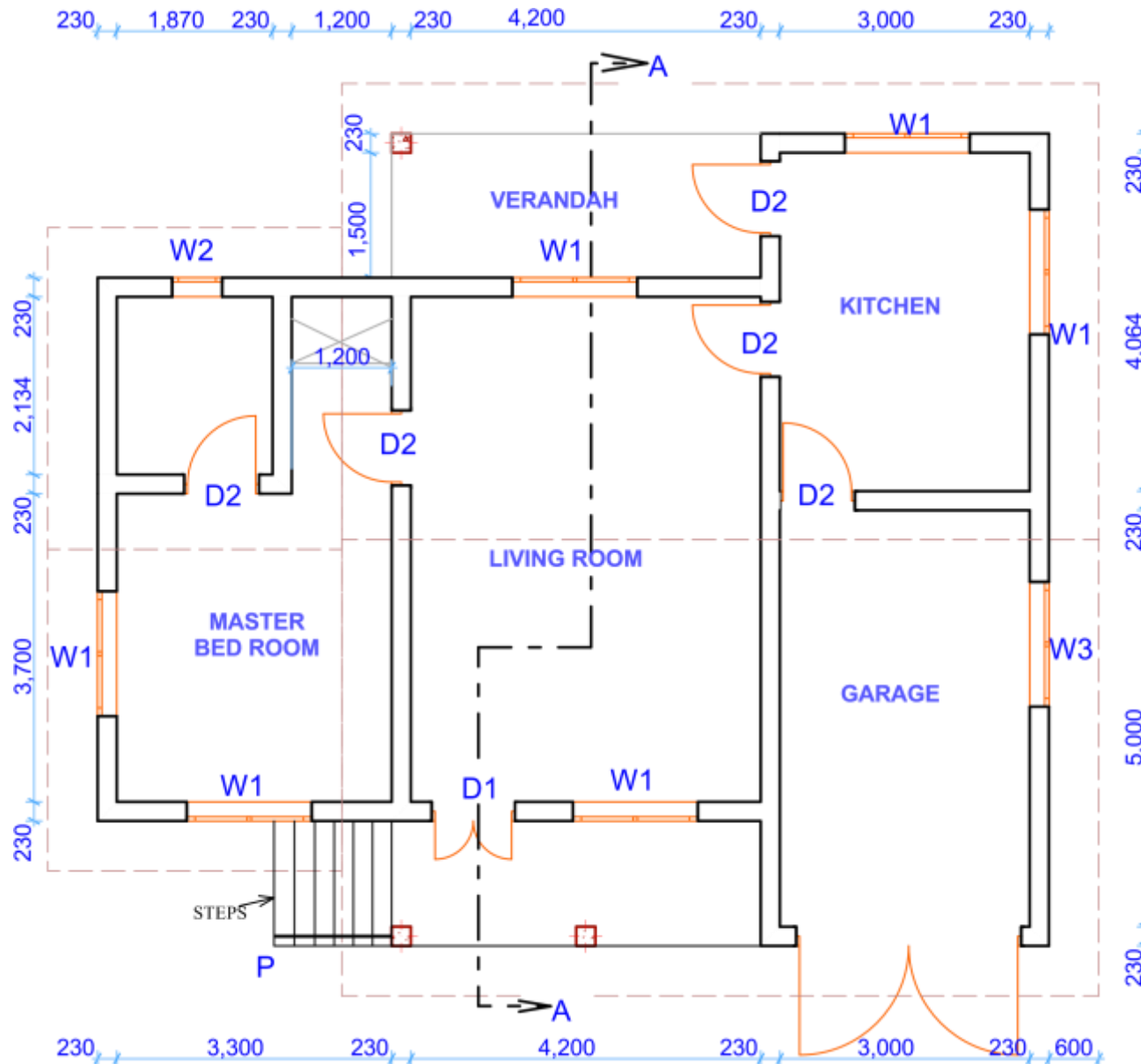


FIG. 1